

# Molding material aerator

---

A rugged and low-maintenance design  
for permanent operation in foundries.



The Pioneer in Material Processing®



# Aeration of molding material

## Flexibility in application

- Installation above belt conveyor
- Installation downstream of belt conveyor\*
- Installation between belt conveyors\*

## Advantages

The distribution of molding material in the mold box is critical to producing high-quality castings. If the material is not evenly distributed, it can result in defects, such as porosity or shrinkage, in the final product.



\*available upon request\*

Achieving better molding material distribution in the molding box is essential to producing high-quality castings with consistent properties and minimal defects. Improving compatibility at the molding machine can lead to better-cast quality and reduced after-treatment costs, making the manufacturing process more efficient and cost-effective.

## Characteristics at a glance

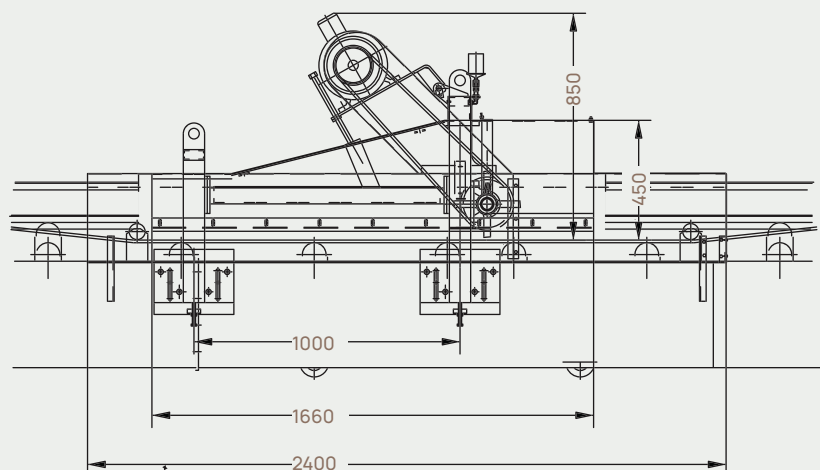
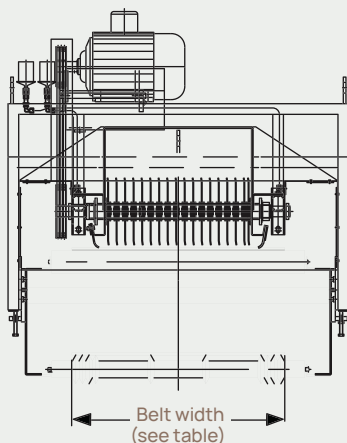
- Efficient and energy-saving operation ensured by unique disaggregation tool
- Small space requirements, easily adaptable to existing belt constructions
- Favorable installation dimensions
- Low wear
- Low maintenance costs

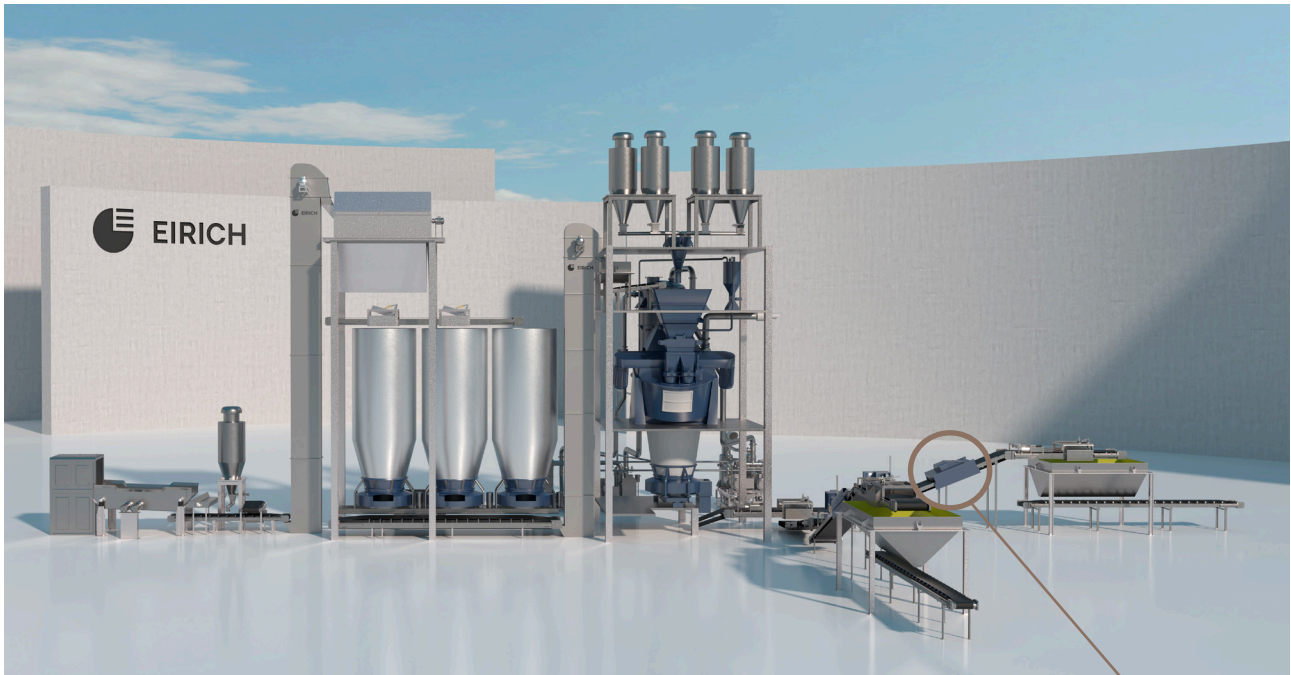
## Configuration / Design

The **molding material aerator** consists of the aerator tool and the molding material collecting tank. The aerator is mounted above a belt conveyor on the prepared sand conveying system or after a mixer. The aerator tool comes equipped with wear-resistant and easily exchangeable tools. An electric motor drives the aerator drums via V-belts. The molding material collecting tank features durable elastic rubber walls designed to resist wear and tear, ensuring optimal and efficient material collection.

## Installation example

Installation above belt conveyor  
(= standard installation)



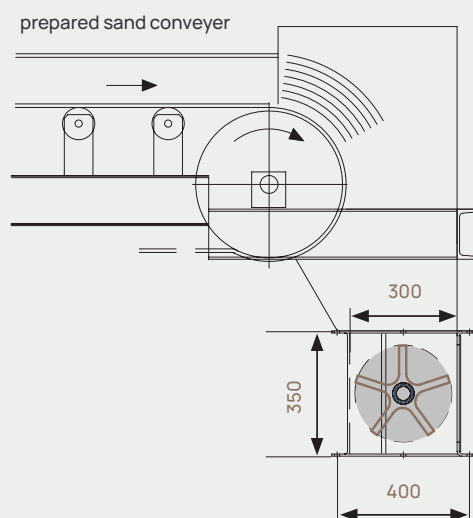


Molding material aerator

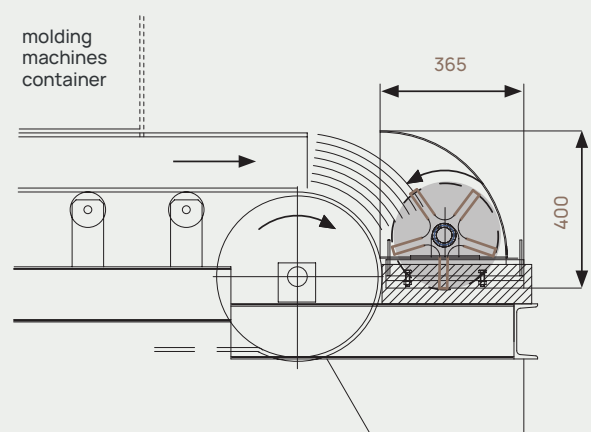
	Type	Rating* (m <sup>3</sup> /h)	Motor (kW)	Belt width (mm)	approx. weight (kg)
Installation above belt conveyor	FS1	25	3.0	400	350
	FS2	40	3.0	500	350
	FS3	75	5.5	650	400
	FS5	100	5.5	800	500
	FS7	160	7.5	1000	600
	FS8	350	7.5	1200	700
	FS9	450	15	1400	900

\*depending on belt speed and material level

#### Installation between belt conveyors



#### Installation downstream of belt conveyor







The Eirich Group, with the Gustav Eirich machine factory as a strategic center in Hardheim, is a supplier of machines, systems and services for mixing technology, granulating/pelleting, drying and fine grinding. Our core competencies are procedures and processes for the treatment of loose materials, sludge and mud. We are a family-run company with 15 locations worldwide.

---

More information at:  
**[www.eirich.com](http://www.eirich.com)**